

66LKA/66LKB

Fast acting fuse — For protection of semiconductor devices

Features

- ◇ Suitable for inverter, UPS, power supply use
- ◇ Recommended by SSR/SSC manufacturers

Specifications & Dimensions

Rated voltage and Breaking capacity

AC660V-100kA, DC660V-50kA (Time Constant 10ms)

Caution!

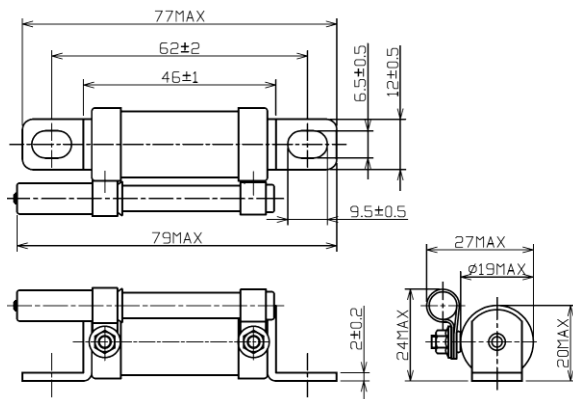
※ Arc re-ignition may occur if the fusing current is less than 8 times larger than the fuse rated current. In this case, the fuse should be used in conjunction with other protectors.

※ Fuse should be used at less than 60% of the rated current.

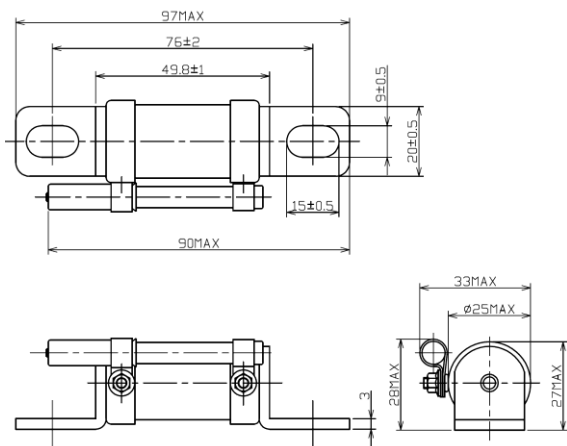


Type		Rated current (A)	Pre-arc I ² t (A ² S)	Total I ² t (A ² S) at AC660V-100kA	Watts-loss (W)	Weight (g)
W/O indicator	With indicator					
66LKA20	66LKA20ST	20	22	170	5.4	41 With indicator 51
66LKA30	66LKA30ST	30	60	420	7.3	
66LKA40	66LKA40ST	40	120	840	9.3	
66LKA50	66LKA50ST	50	190	1,400	11.3	
66LKA60	66LKA60ST	60	290	2,000	13.3	
66LKA75	66LKA75ST	75	620	3,700	14.3	
66LKB100	66LKB100ST	100	1,150	7,100	23.6	100
66LKB125	66LKB125ST	125	1,400	11,000	33.8	
66LKB150	66LKB150ST	150	2,500	18,000	36.5	With indicator 110
66LKB175	66LKB175ST	175	3,800	26,000	39.8	
66LKB200	66LKB200ST	200	5,400	38,000	43.3	165 With indicator 175
66LKB235	66LKB235ST	235	7,000	52,000	59.4	
66LKB260	66LKB260ST	260	8,600	70,000	65.4	
66LKB300	66LKB300ST	300	12,000	100,000	72.6	

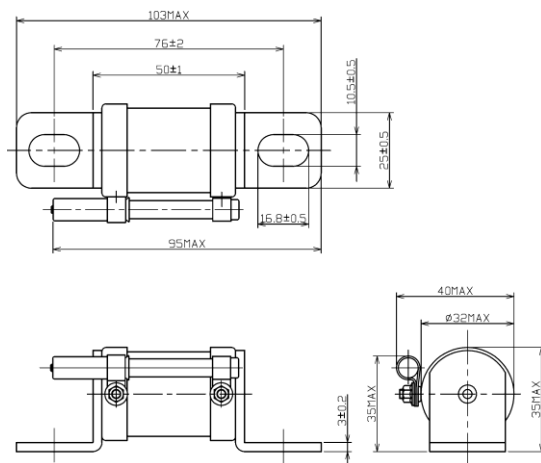
↓ 66LKA20(ST)~75(ST) (This figure includes an indicator)



↓ 66LKB100(ST)~200(ST) (This figure includes an indicator)



↓ 66LKB235(ST)~300(ST) (This figure includes an indicator)



For inquiries, please contact our sales department at;

Tel: 03-3860-8661 Fax: 03-3860-8660 E-mail: uketsuke@hinodedenki.co.jp

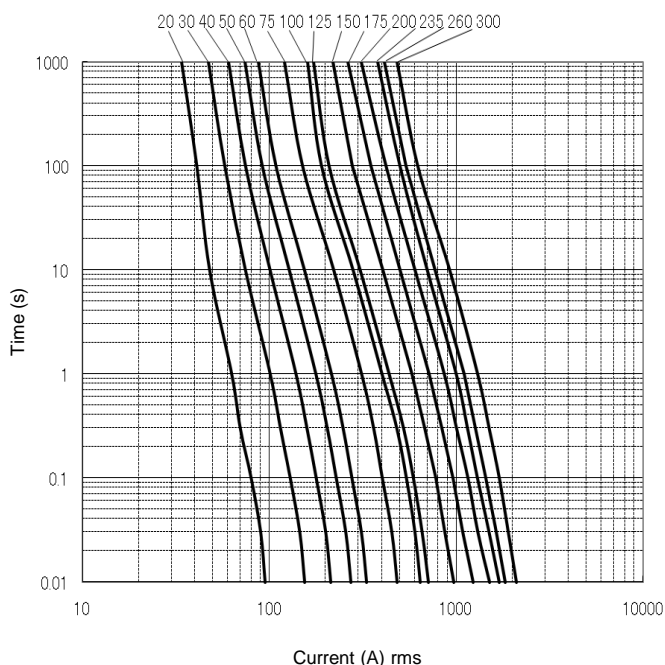
All specified data in this leaflet is based on available information at the time of publication, and the products and/or specifications may be subject to change without notice.

We recommend that all our customers check the latest product information on our web site (<http://www.hinodedenki.co.jp>) as well as contacting us before placing orders.

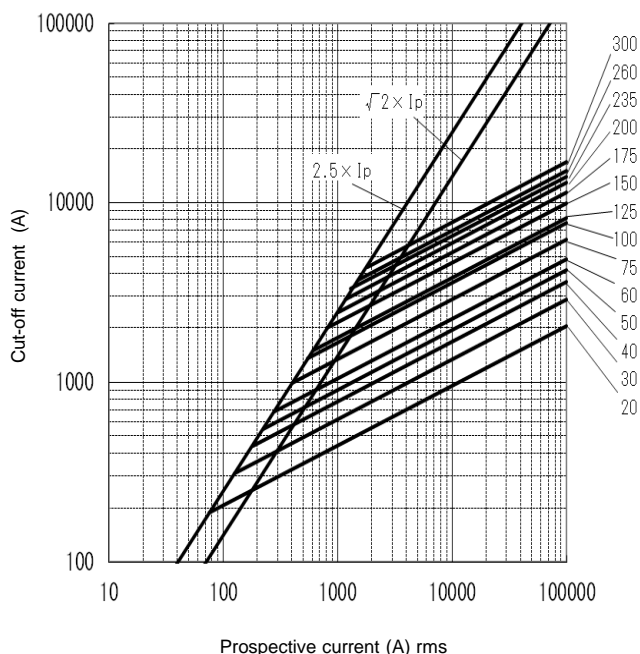
66LKA/66LKB

Fast acting fuse — For protection of semiconductor devices

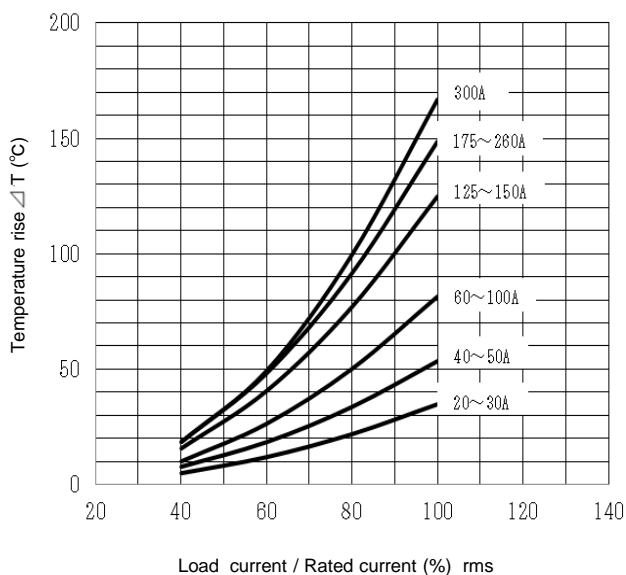
Pre-arcing time-current characteristics



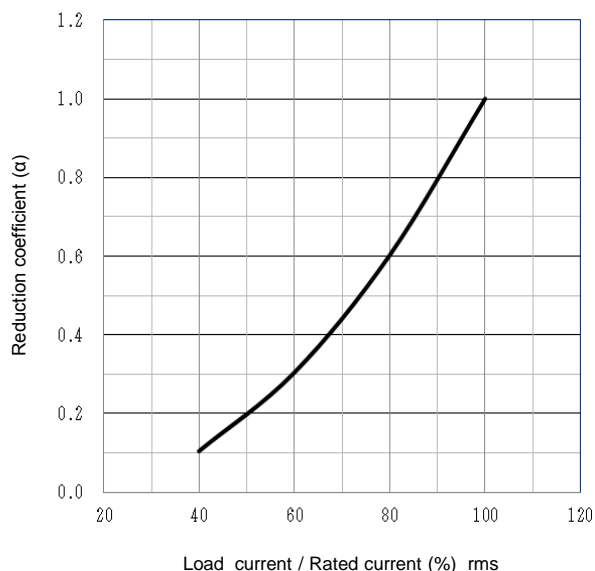
Cut-off current characteristics



Temperature rise characteristics



Watts-loss characteristics



For inquiries, please contact our sales department at;
 Tel: 03-3860-8661 Fax: 03-3860-8660 E-mail: uketsuke@hinodedenki.co.jp

All specified data in this leaflet is based on available information at the time of publication, and the products and/or specifications may be subject to change without notice.

We recommend that all our customers check the latest product information on our web site ([http:// www.hinodedenki.co.jp](http://www.hinodedenki.co.jp)) as well as contacting us before placing orders.