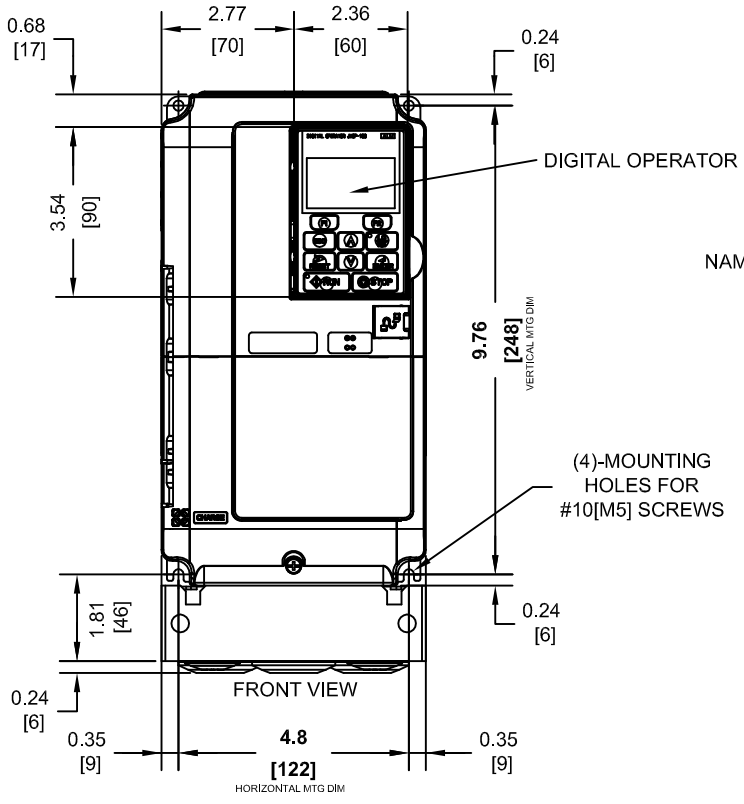


(2) EXTERNAL COOLING FANS

TOP PROTECTIVE COVER

NOTE:  
 PROTECTIVE COVERS ARE FACTORY INSTALLED TO THE TOP AND BOTTOM OF THE DRIVE TO MEET IP20 & NEMA TYPE 1 REQUIREMENTS, RESULTING IN AN AMBIENT TEMPERATURE RATING OF 104F(40C). REMOVE THESE COVERS WHEN OPERATING THE DRIVE WITHIN A PANEL TO OBTAIN THE MAXIMUM SURROUNDING AIR TEMPERATURE RATING OF 122F(50C). REMOVING THESE COVERS RESULTS IN AN ENCLOSURE RATING OF IP00.

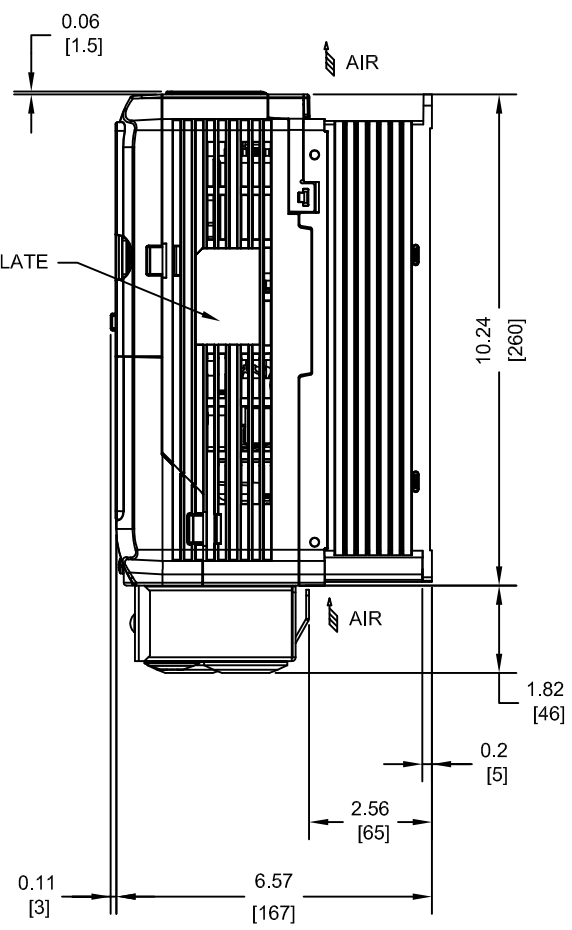


DIGITAL OPERATOR

(4)-MOUNTING HOLES FOR #10[M5] SCREWS

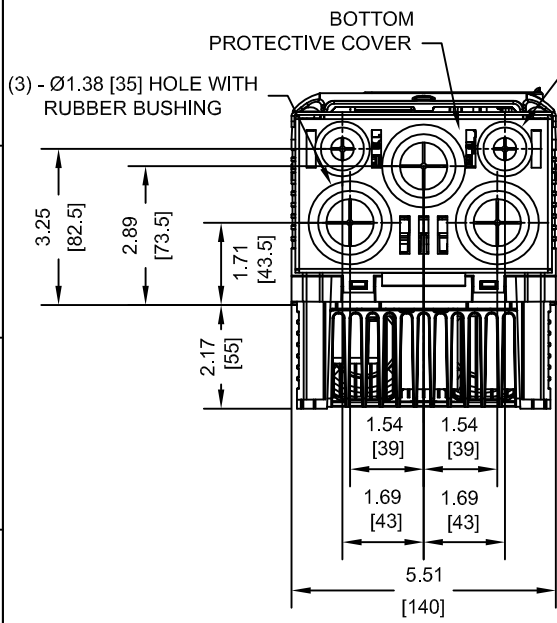
FRONT VIEW

NAMEPLATE



AIR

AIR



BOTTOM PROTECTIVE COVER

(2) - Ø0.87 [22] HOLE WITH RUBBER BUSHING

(3) - Ø1.38 [35] HOLE WITH RUBBER BUSHING

MODEL # CIMR-AU	VOLTAGE THREE-PHASE (VAC)	OUTPUT CURRENT (A)		WEIGHT LBS (Kg)	HEAT LOSS (W)					
		ND	HD		ND (Fc=2kHz)			HD (Fc=8kHz)		
					INT	EXT	TOT	INT	EXT	TOT
2A0030FXX	200/240	30.0	25.0	9.2 (4.2)	117.1	261.5	378.6	92.3	194.4	286.6
2A0040FXX		40.0	33.0	9.2 (4.2)	144.5	292.8	437.3	104.8	213.8	318.7
4A0018FXX	380/480	17.5	14.8	9.0 (4.1)	108.0	177.3	285.3	85.7	135.4	221.1
4A0023FXX		23.0	18.0	9.0 (4.1)	138.1	215.9	353.9	97.0	149.9	246.9
5A0011FXX	500/600	11.0	9.8	9.0 (4.1)	88.0	56.1	144.0	49.5	110.9	160.3

NOTE:  
 XX DENOTES AA-ZZ

INT=INTERNAL COMPONENTS  
 EXT=EXTERNAL HEATSINK  
 TOT=TOTAL

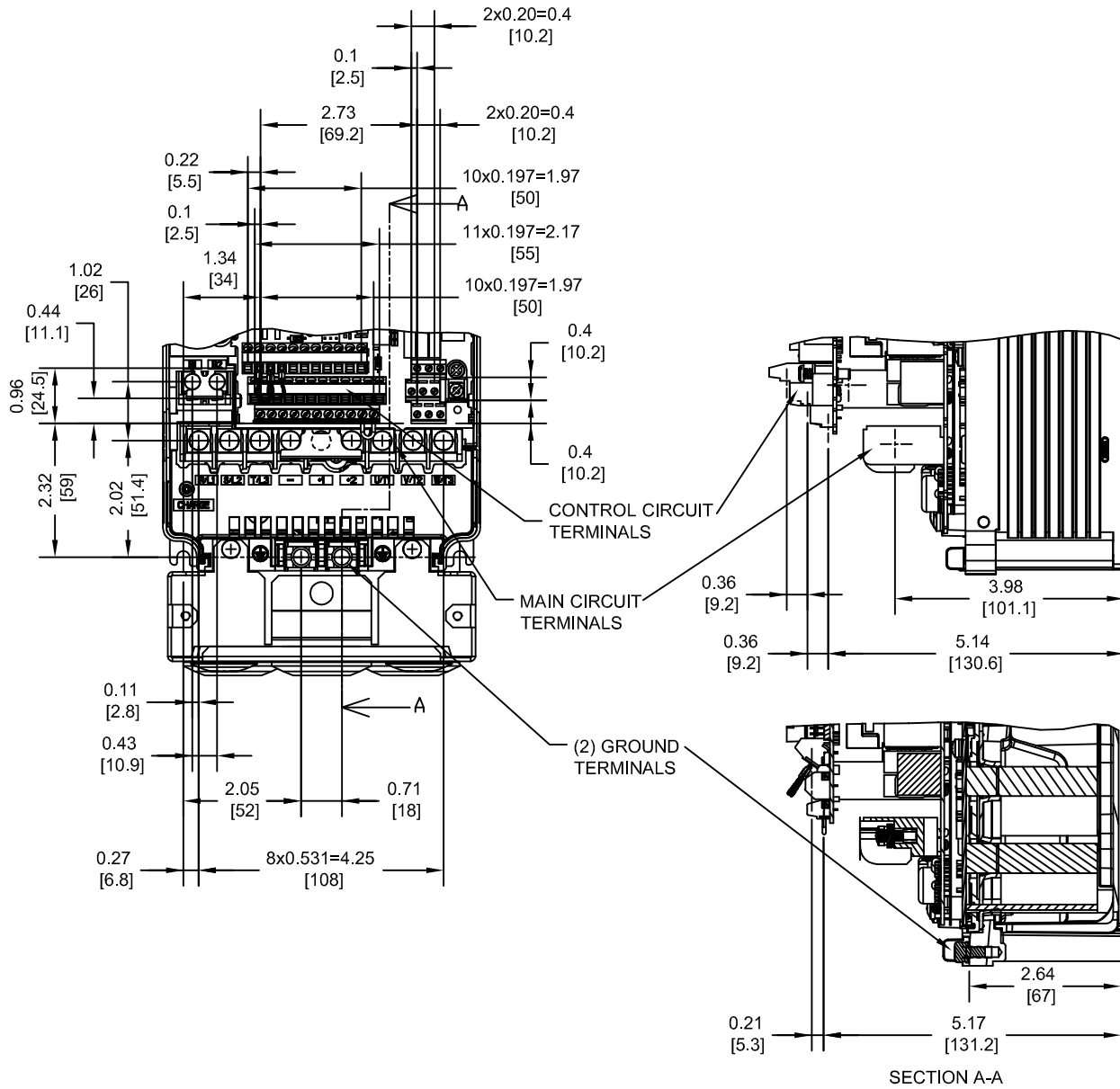
FOR ADDITIONAL DETAILS AND SPECIFICATIONS, CONSULT MANUAL

TOLERANCES / REFERENCES:  
 UNITS: IN [mm]  
 SCALE: 1:4

**YASKAWA**  
 THIS DOCUMENT AND INFORMATION CONTAINED IN IT ARE CONFIDENTIAL, AND CANNOT BE COPIED OR DISCLOSED IN WHOLE OR IN PART WITHOUT THE EXPRESS WRITTEN CONSENT OF YASKAWA AMERICA, INC.

DRAWN: J. MATTAS	DATE 9-9-09	TITLE: A1000 DIMENSION DRAWING
CHECKED: J. PIOTROWSKI	DATE 3-8-10	FRAME SIZE 3
TECH: J. CAIRO	DATE 3-8-10	NEMA TYPE 1 ENCLOSURE
APPROVED: T. SASADA	DATE 3-8-10	2A0030 - 40, 4A0018 - 23, 5A0011
ORIGINAL DESIGN: -	DATE -	SIZE: A REVISION: R00 PAGE: 1 of 3
		DRAWING #: DD.A1K.FR3.N1

TERMINAL AND WIRING DETAILS (SCALE 1:3)



TERMINAL AND WIRE SPECIFICATIONS FOR  
MAIN CIRCUIT AND GROUND

MODEL # CIMR-AU	TERMINAL SYMBOL	TERMINAL SCREW	CLAMPING TORQUE lb.in.(N.m.)	WIRE RANGE AWG(mm <sup>2</sup> )
2A0030 2A0040	R/L1, S/L2, T/L3, U/T1, V/T2, W/T3,	M4	20.4 (2.3)	10-6 (6.0-16)
4A0018 4A0023 5A0011	⊖, ⊕1, ⊕2, B1, B2			12-6 (4.0-16)
	⊕	M5	17.7 TO 22.1 (2 TO 2.5)	12-10 (4.0-6.0)

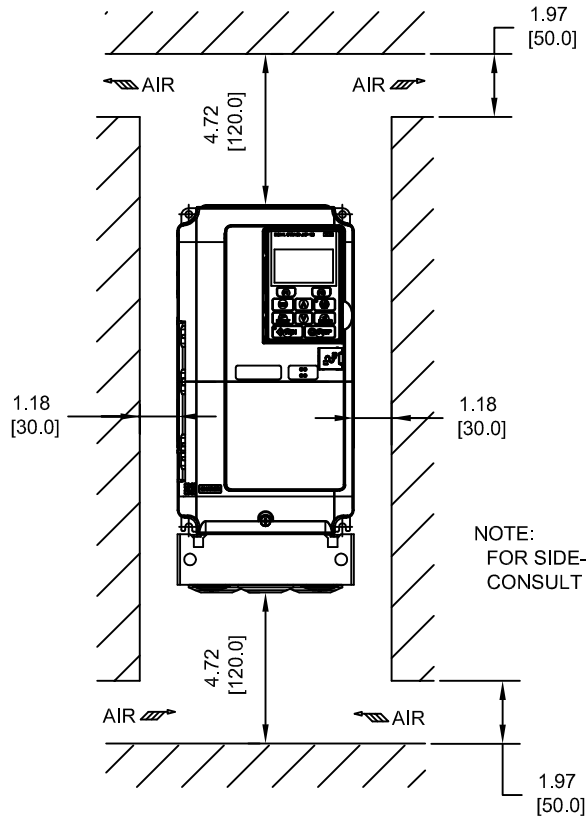
NOTE: REFER TO APPLICABLE CODES FOR PROPER WIRE TYPE AND SIZE

FOR ADDITIONAL DETAILS AND SPECIFICATIONS, CONSULT MANUAL

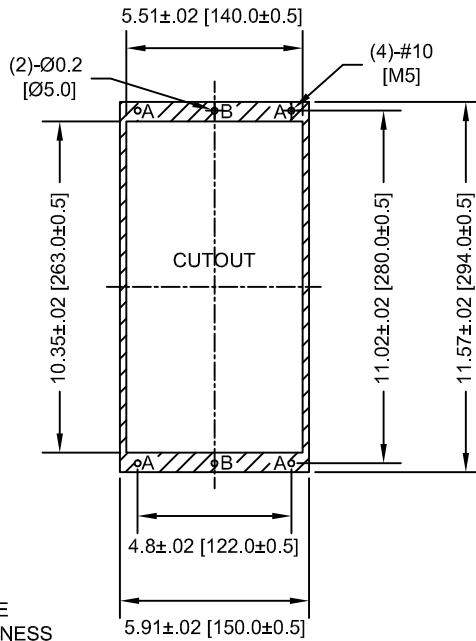
TOLERANCES / REFERENCES:		DRAWN: J. MATTAS DATE: 9-9-09	TITLE: A1000 DIMENSION DRAWING	
		CHECKED: J. PIOTROWSKI DATE: 3-8-10	FRAME SIZE 3 NEMA TYPE 1 ENCLOSURE	
UNITS: IN [mm]	SCALE: BY VIEW	TECH: J. CAIRO DATE: 3-8-10	SIZE: A	REVISION: R00
		APPROVED: T. SASADA DATE: 3-8-10	PAGE: 2 of 3	
ORIGINAL DESIGN: -		DATE: -	DRAWING #: DD.A1K.FR3.N1	

THIS DOCUMENT AND INFORMATION CONTAINED IN IT ARE CONFIDENTIAL, AND CANNOT BE COPIED OR DISCLOSED IN WHOLE OR IN PART WITHOUT THE EXPRESS WRITTEN CONSENT OF YASKAWA AMERICA, INC.

MINIMUM INSTALLATION CLEARANCES (SCALE 1:6)



PANEL CUTOUT FOR EXTERNAL HEATSINK MOUNTING CONFIGURATION (SCALE 1:6)



- NOTES:**
- EXTERNAL HEATSINK CONFIGURATION REQUIRES MOUNTING KIT
  - EXPOSED HEATSINK RECOMMENDED CLEARANCE D=2.36" MINUS PANEL THICKNESS

FOR ADDITIONAL DETAILS AND SPECIFICATIONS, CONSULT MANUAL

TOLERANCES / REFERENCES:			DRAWN: J. MATTAS DATE: 9-9-09	TITLE: A1000 DIMENSION DRAWING	
			CHECKED: J. PIOTROWSKI DATE: 3-8-10	FRAME SIZE 3 NEMA TYPE 1 ENCLOSURE 2A0030 - 40, 4A0018 - 23, 5A0011	
		TECH: J. CAIRO DATE: 3-8-10	APPROVED: T. SASADA DATE: 3-8-10	SIZE: A	REVISION: R00
UNITS: IN [mm]	SCALE: BY VIEW	ORIGINAL DESIGN: -		DATE: -	DRAWING #: DD.A1K.FR3.N1
THIS DOCUMENT AND INFORMATION CONTAINED IN IT ARE CONFIDENTIAL, AND CANNOT BE COPIED OR DISCLOSED IN WHOLE OR IN PART WITHOUT THE EXPRESS WRITTEN CONSENT OF YASKAWA AMERICA, INC.				PAGE 3 of 3	