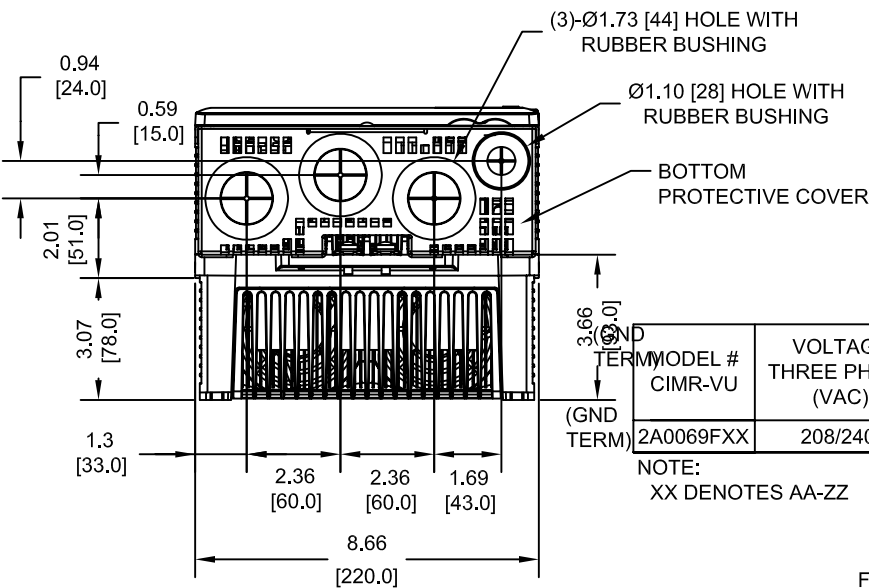
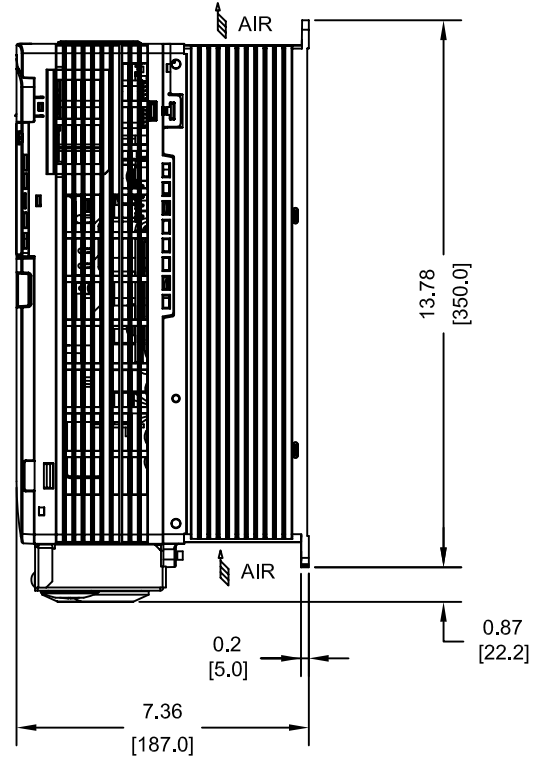
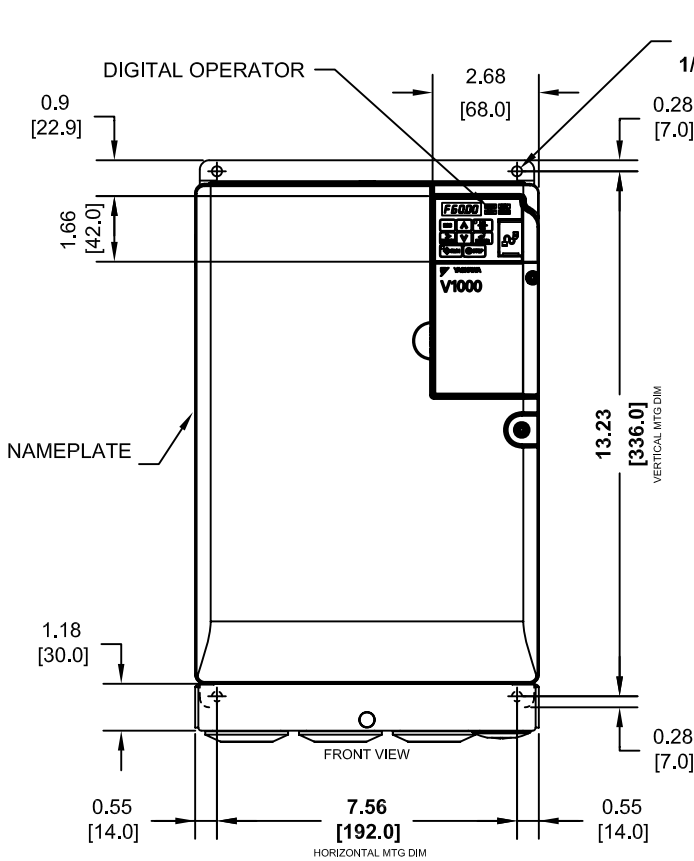


NOTE:
 PROTECTIVE COVERS ARE FACTORY INSTALLED TO THE TOP AND BOTTOM OF THE DRIVE TO MEET IP20 & NEMA TYPE 1 REQUIREMENTS, RESULTING IN AN AMBIENT TEMPERATURE RATING OF 104F(40C). REMOVE THESE COVERS WHEN OPERATING THE DRIVE WITHIN A PANEL TO OBTAIN THE MAXIMUM SURROUNDING AIR TEMPERATURE RATING OF 122F(50C). REMOVING THESE COVERS RESULTS IN AN ENCLOSURE RATING OF IP00.



MODEL # CIMR-VU	VOLTAGE THREE PHASE (VAC)	OUTPUT CURRENT (A)		WEIGHT LBS (Kg)	HEAT LOSS (W)					
		ND	HD		ND (Fc=2kHz)			HD (Fc=8kHz)		
					INT	EXT	TOT	INT	EXT	TOT
2A0069FXX	208/240	69.0	60.0	20.2 (9.2)	184.5	461.7	646.2	151.4	437.7	589.1

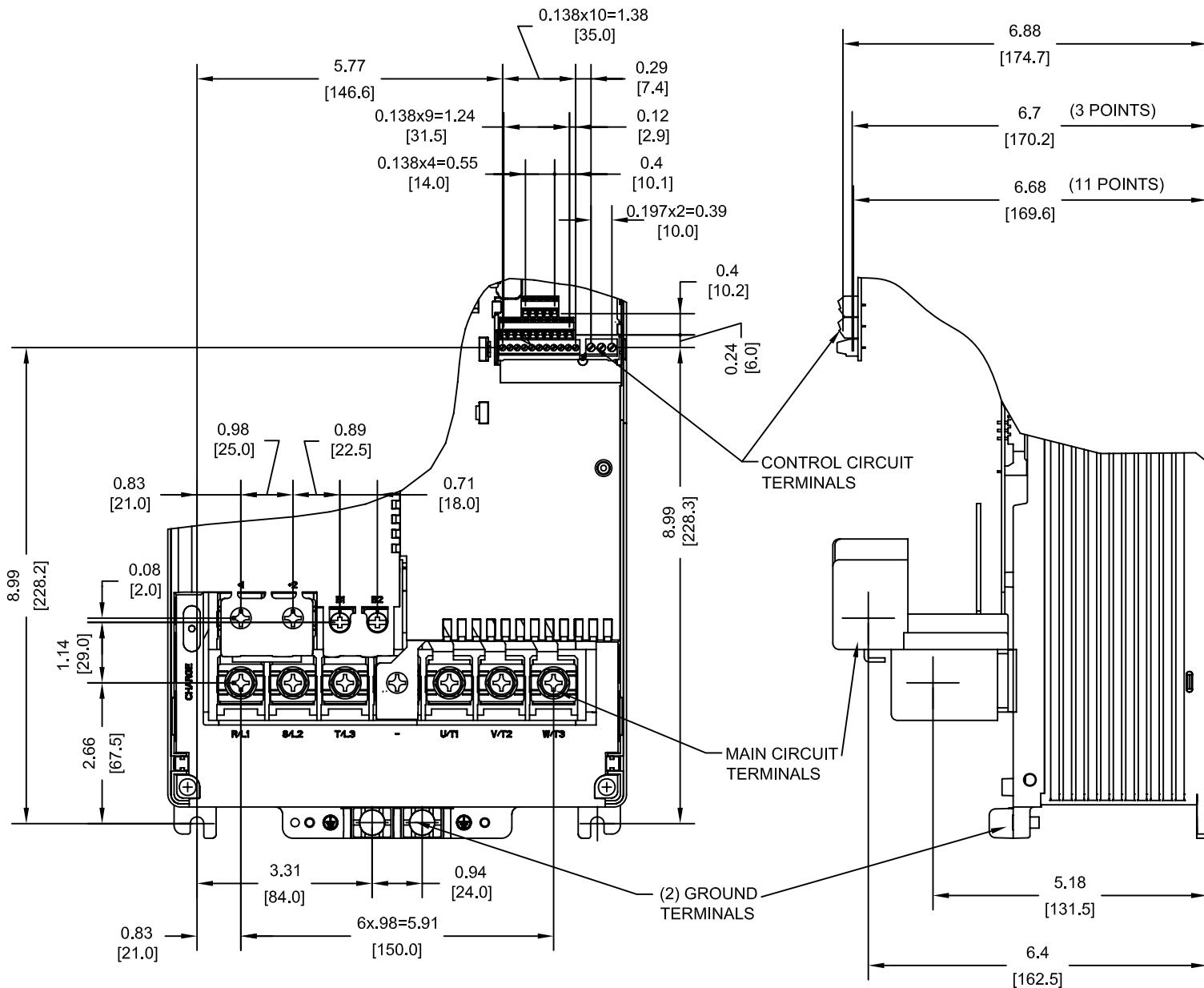
NOTE:
 XX DENOTES AA-ZZ

INT=INTERNAL COMPONENTS
 EXT=EXTERNAL HEATSINK
 TOT=TOTAL

FOR ADDITIONAL DETAILS AND SPECIFICATIONS, CONSULT MANUAL

TOLERANCES / REFERENCES:		<p>YASKAWA The Drive for Quality™</p> <p><i>THIS DOCUMENT AND INFORMATION CONTAINED IN IT ARE CONFIDENTIAL, AND CANNOT BE COPIED OR DISCLOSED IN WHOLE OR IN PART WITHOUT THE EXPRESS WRITTEN CONSENT OF YASKAWA ELECTRIC AMERICA INC.</i></p>	DRAWN: J. MATTAS CHECKED: M. RUCINSKI TECH: J. CAIRO APPROVED: T. SASADA ORIGINAL DESIGN: -	DATE: 2-12-08 DATE: 5-7-08 DATE: 3-27-08 DATE: 5-27-08 DATE: -	TITLE: V1000 DIMENSION DRAWING FRAME SIZE 17 NEMA TYPE 1 ENCLOSURE 2A0069F
UNITS: IN[mm]	SCALE: 1:5		SIZE A	REVISION R00	PAGE 1 of 3
			DRAWING #: DD.V1K.FR17.N1		

TERMINAL AND WIRING DETAILS (SCALE 1:3)



TERMINAL AND WIRE SPECIFICATIONS FOR
MAIN CIRCUIT AND GROUND

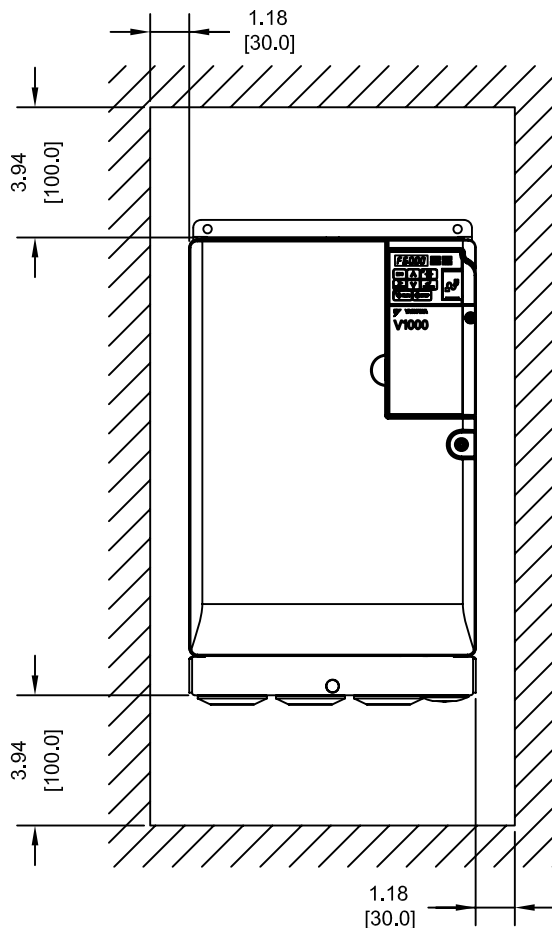
MODEL # CIMR-VU	TERMINAL SYMBOL	TERMINAL SCREW	CLAMPING TORQUE lb.in.(N.m.)	WIRE RANGE AWG(mm ²)
2A0069F	R/L1, S/L2, T/L3, Ⓞ, ⊕1, ⊕2, U/T1, V/T2, W/T3	M8	79.7 TO 97.4 (9 TO 11)	10-2 (5.5-38)
	B1, B2	M5	17.7 TO 22.1 (2 TO 2.5)	8-6 (8-14)
	Ⓞ	M6	35.4 TO 53.1 (4 TO 6)	8-4 (8-22)

NOTE: RATINGS APPLY TO BOTH FACTORY AND FIELD WIRING
REFER TO APPLICABLE CODES FOR PROPER WIRE TYPE AND SIZE

FOR ADDITIONAL DETAILS AND SPECIFICATIONS, CONSULT MANUAL

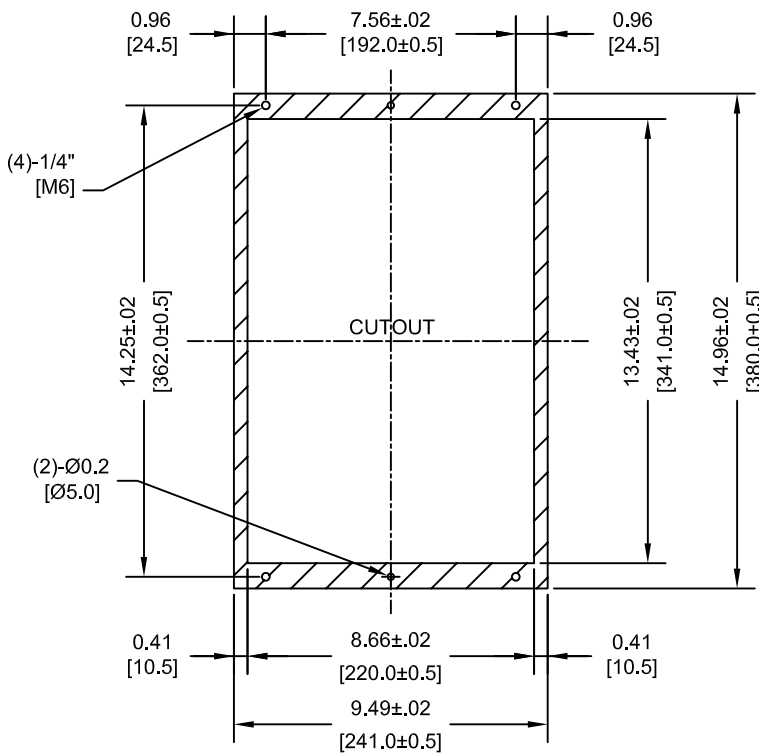
TOLERANCES / REFERENCES:			DRAWN: J. MATTAS	DATE 2-12-08	TITLE: V1000 DIMENSION DRAWING FRAME SIZE 17 NEMA TYPE 1 ENCLOSURE 2A0069F
UNITS: IN[mm]			CHECKED: M. RUCINSKI	DATE 5-7-08	
SCALE: BY VIEW		THIS DOCUMENT AND INFORMATION CONTAINED IN IT ARE CONFIDENTIAL, AND CANNOT BE COPIED OR DISCLOSED IN WHOLE OR IN PART WITHOUT THE EXPRESS WRITTEN CONSENT OF YASKAWA ELECTRIC AMERICA INC.	TECH: J. CAIRO	DATE 3-27-08	PAGE 2 of 3
			APPROVED: T. SASADA	DATE 5-27-08	
		ORIGINAL DESIGN:	-	DATE	-

MINIMUM INSTALLATION CLEARANCES (SCALE 1:6)



NOTE:
FOR SIDE-BY-SIDE MOUNTING
CONSULT MANUAL

PANEL CUTOUT FOR EXTERNAL HEATSINK
MOUNTING CONFIGURATION (SCALE 1:6)



NOTES:
1. EXTERNAL HEATSINK
CONFIGURATION REQUIRES
MOUNTING KIT
2. EXPOSED HEATSINK
RECOMMENDED CLEARANCE
D=3.35" MINUS PANEL THICKNESS

TOLERANCES / REFERENCES:		<p>YASKAWA The Drive for Quality™</p> <p><i>THIS DOCUMENT AND INFORMATION CONTAINED IN IT ARE CONFIDENTIAL, AND CANNOT BE COPIED OR DISCLOSED IN WHOLE OR IN PART WITHOUT THE EXPRESS WRITTEN CONSENT OF YASKAWA ELECTRIC AMERICA INC.</i></p>	DRAWN: J. MATTAS CHECKED: M. RUCINSKI TECH: J. CAIRO APPROVED: T. SASADA ORIGINAL DESIGN: -	DATE: 2-12-08 DATE: 5-7-08 DATE: 3-27-08 DATE: 5-27-08 DATE: -	TITLE: V1000 DIMENSION DRAWING FRAME SIZE 17 NEMA TYPE 1 ENCLOSURE 2A0069F
UNITS: IN[mm]	SCALE: BY VIEW		SIZE A	REVISION R00	PAGE 3 of 3
		DRAWING #: DD.V1K.FR17.N1			